



**EXTENDED RATINGS**

**COOLING PERFORMANCE**

Outdoor Ambient Temperature (DB)	Indoor Entering Air Temperatures (DB) 50% RH					
	62 F		67 F		72 F	
	TC	SHC	TC	SHC	TC	SHC
25 F	11,210	8,336	12,138	8,779	12,952	9,337
35 F	10,973	8,326	11,705	8,540	12,264	8,868
45 F	10,429	8,029	11,179	8,282	11,946	8,668
55 F	10,044	7,770	10,713	8,039	11,468	8,376
65 F	9,691	7,560	10,672	8,100	11,300	8,286
75 F	9,300	7,279	10,053	7,725	10,794	7,959
85 F	8,938	7,102	9,587	7,396	10,404	7,767
95 F	8,506	6,774	9,139	7,299	9,978	7,504
105 F	8,035	6,515	8,643	6,908	9,415	7,200
115 F	7,573	6,248	8,028	6,514	8,573	6,725

**HEATING PERFORMANCE**

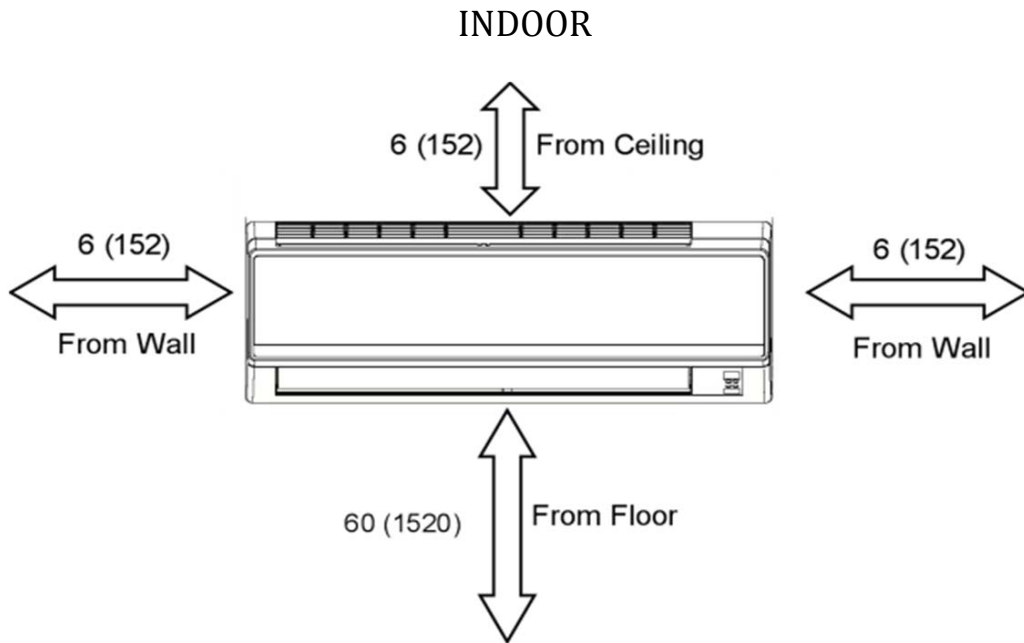
Outdoor Ambient Temperature (DB) (80% RH)	Indoor Entering Air Temperatures (DB)					
	65 F		70 F		75 F	
	TC	SHC	TC	SHC	TC	SHC
5 F	8,238	8,238	7,880	7,880	7,628	7,628
15 F	8,925	8,925	8,238	8,238	8,230	8,230
25 F	9,438	9,438	9,630	9,630	9,558	9,558
35 F	10,910	10,910	11,391	11,391	10,888	10,888
45 F	12,356	12,356	12,241	12,941	12,385	12,385
55 F	13,367	13,367	13,115	13,115	12,595	12,595
65 F	13,349	13,349	13,202	13,202	12,855	12,855

TC- Total Capacity ( btuh)  
 SHC- Sensible Capacity (btuh)

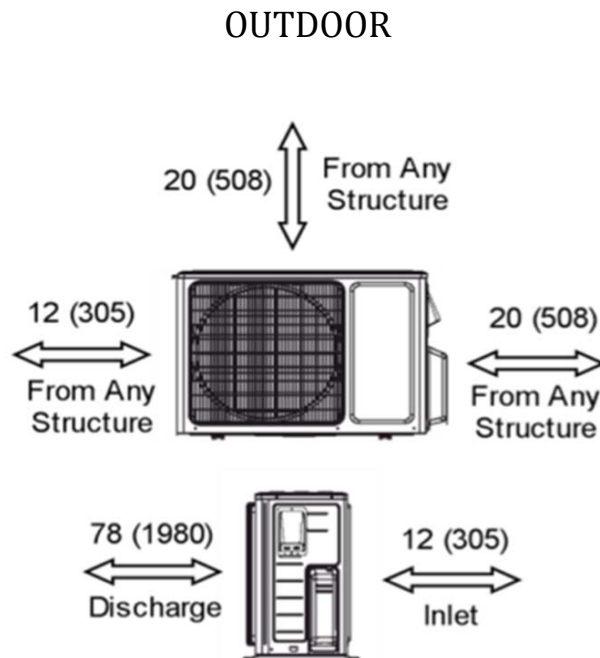


### MINIMUM SPACING REQUIREMENTS

Units: inch (mm)



Units: inch (mm)

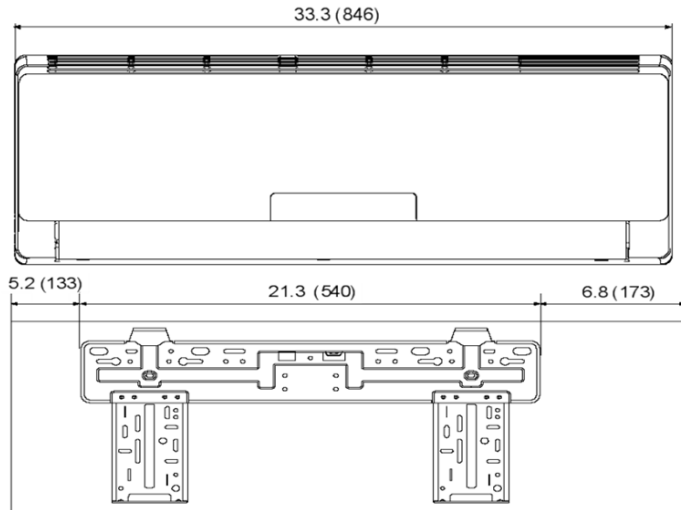


## DIMENSIONAL SPECIFICATIONS

NEO09HP115V1A

### INDOOR UNIT DIMENSIONS

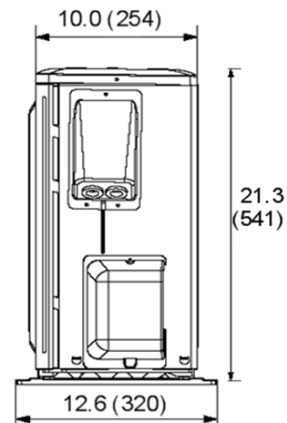
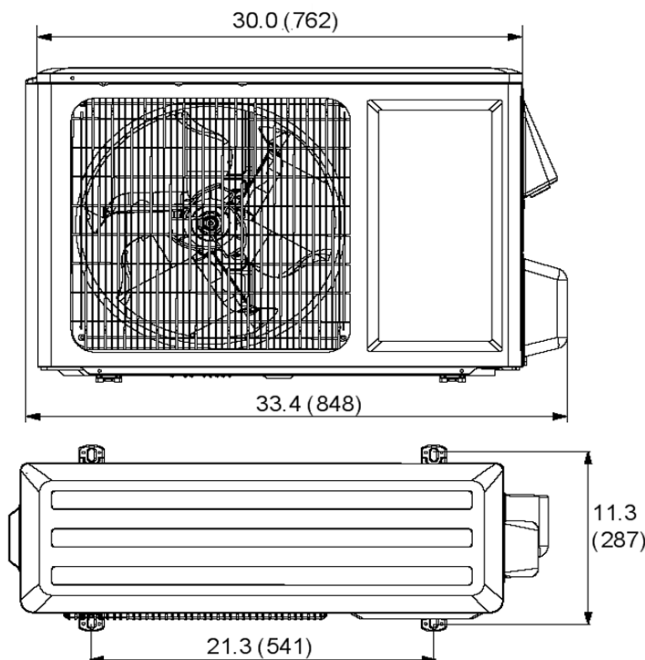
Units: inch (mm)



Liquid Line Valve	1/4-in OD Flared
Gas Line Valve	3/8-in OD Flared
Drain Connector	5/8-in OD

### OUTDOOR UNIT DIMENSIONS

Units: inch (mm)



Liquid Line Valve	1/4-in OD Flared
Gas Line Valve	3/8-in OD Flared

**Notes:**

1. Recommended Interconnecting Cable Type Stranded Bare Copper Conductors THHN 600V Wire
2. Power wiring cable size must comply with applicable national and local codes.
3. Test conditions are based on AHRI 210/240.



[www.greecomfort.com](http://www.greecomfort.com)

Specifications are subject to change without notice. Manufacturer reserves the right to discontinue or modify specifications or designs without notice or without incurring obligations. All rights reserved.