

**Submittal Data: GWC09KF-D3DNB1C** 9,000 BTU/H Wall Mounted Air Conditioning System

Job Name Location Date

Purchaser Engineer

Submitted To For  Reference  Approval  Construction

Unit Designation Schedule No.

**GENERAL FEATURES**

- Compact and Quiet Design
- High Efficiency - 16 SEER
- DC Inverter Technology
- Wireless Remote with LCD Display
- Low Ambient Cooling
- Comfortable Sleep Mode
- Intelligent Defrost
- 5 year Limited Parts Warranty



**System Ratings**

**Indoor Unit Data**

**Cooling**

Rated Capacity	9,000 BTU/H
Capacity Range	3,800-11,500 BTU/H
Power Input (Max)	1,300 W
SEER	16
EER	10.2

<b>Fan Motor</b>	Output Power	15 W
	FLA	0.2 A

**Heating at 47° F**

Rated Capacity	----
Capacity Range	----
Power Input (Max)	----
HSPF	----
COP	----

**Airflow**

Cooling Wet (Lo/Hi)	141/330 CFM
Heating Dry (Lo/Hi)	----

**Sound Pressure Level**

Cooling (Lo/Hi)	26/43 db(A)
Heating (Lo/Hi)	----

**Heating at 17° F**

Rated Capacity	----
Capacity (Max)	----
Power Input (Max)	----
COP	----

**Dimensions & Weights**

Unit Dimensions (LxHxD)	30.3 x 11.1 x 7.9-in
Weight (Net/Shipping)	19/25 LBS

**Operating Range**

Cooling	(Max)	109°F (43 C)
	(Min)	5°F (-15 C)
Heating	(Max)	----
	(Min)	----

**Outdoor Unit Data**

**Compressor** DC Inverter Driven Rotary

**Refrigerant Type** R410A

<b>Fan Motor</b>	Output Power	21 W
	FLA	0.3 A

**Sound Pressure**

Cooling	49 db(A)
Heating	----

**Dimensions & Weights**

Unit Dimensions (LxHxD)	28.0 x 21.7 x 12.5 -in
Weight (Net/Shipping)	64/73 LBS

**Power Supply**

Normal Operational Voltage	208/230 V, 1 Phase, 60 Hz
Voltage Range	187 - 253 V
Main Power Wire Size	14-2 AWG
Interconnecting Cable Wire Size	14-4 AWG
MCA	10.0 A
MOCP/Breaker Size	15 A

**Refrigerant Piping Data**

Gas Pipe Size (OD)	3/8-in
Liquid Pipe Size (OD)	1/4-in
Connection Method	Flared
MAX Refrigerant Pipe Length	50-ft
MIN Refrigerant Pipe Length	10-ft
MAX Refrigerant Pipe Height Difference	33-ft

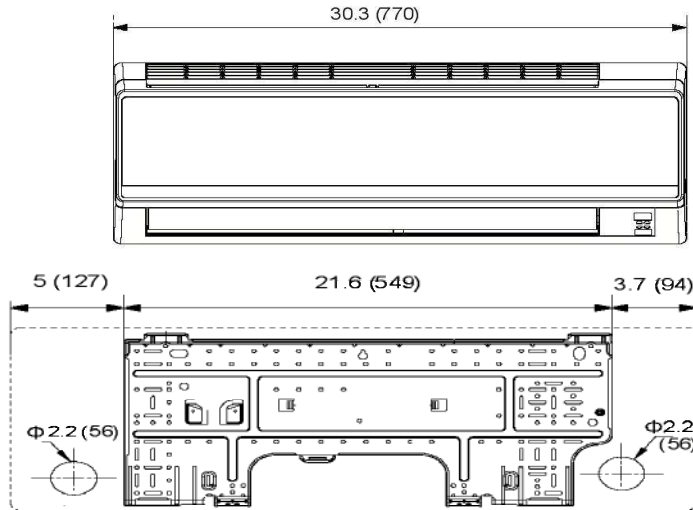


## DIMENSIONAL SPECIFICATIONS

**GWC09KF-D3DNB1C**

### INDOOR UNIT DIMENSIONS

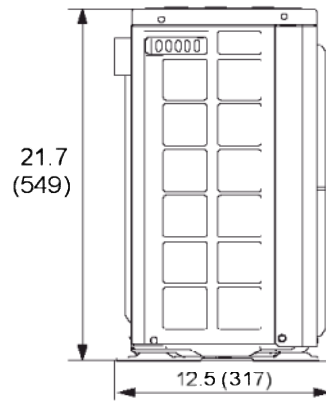
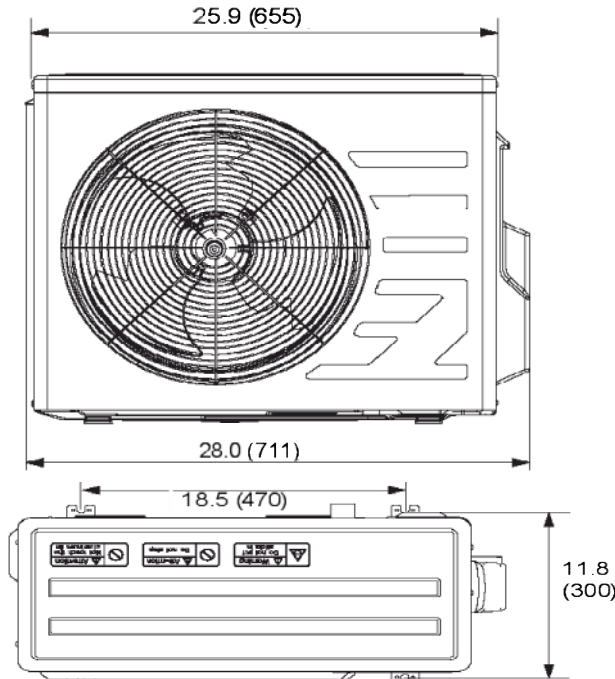
Units: inch (mm)



Liquid Line Valve	1/4-in OD Flared
Gas Line Valve	3/8-in OD Flared
Drain Connector	5/8-in OD

### OUTDOOR UNIT DIMENSIONS

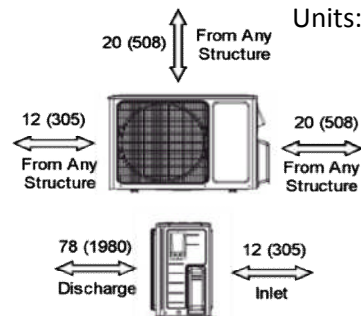
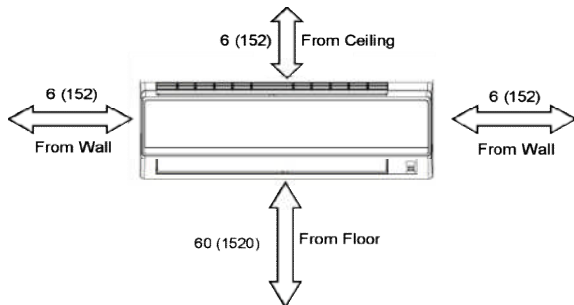
Units: inch (mm)



Liquid Line Valve	1/4-in OD Flared
Gas Line Valve	3/8-in OD Flared

### MINIMUM SPACING REQUIREMENTS

Units: inch (mm)



**Notes:**

1. Recommended Interconnecting Cable Type Stranded Bare Copper Conductors THHN 600V Wire
2. Power wiring cable size must comply with applicable national and local codes.
3. Test conditions are based on AHRI 210/240.



Specifications are subject to change without notice. Manufacturer reserves the right to discontinue or modify specifications or designs without notice or without incurring obligations. All rights reserved.