

Submittal Data: GWC18KG-D3DNB1C 18,000 BTU/H Wall Mounted Air Conditioning System

Job Name Location Date

Purchaser Engineer

Submitted To For Reference Approval Construction

Unit Designation Schedule No.

GENERAL FEATURES

- Compact and Quiet Design
- High Efficiency - 16 SEER
- DC Inverter Technology
- Wireless Remote with LCD Display
- Low Ambient Cooling
- Comfortable Sleep Mode
- Intelligent Defrost
- 5 year Limited Parts Warranty



System Ratings

Indoor Unit Data

Cooling

Rated Capacity	18,000 BTU/H
Capacity Range	4,500-21,000 BTU/H
Power Input (Max)	2,600 W
SEER	16
EER	11.3

Fan Motor	Output Power	20 W
	FLA	0.3 A
Airflow		
Cooling Wet (Lo/Hi)		271/471 CFM
Heating Dry (Lo/Hi)		---

Heating at 47° F

Rated Capacity	---
Capacity Range	---
Power Input (Max)	---
HSPF	---
COP	---

Sound Pressure Level		
Cooling (Lo/Hi)		34/48 db(A)
Heating (Lo/Hi)		---
Dimensions & Weights		
Unit Dimensions (LxHxD)		34.0 x 12.0 x 8.5-in
Weight (Net/Shipping)		27/35 LBS

Heating at 17° F

Rated Capacity	---
Capacity (Max)	---
Power Input (Max)	---
COP	---

Outdoor Unit Data

Operating Range

Cooling	(Max)	109°F (43 C)
	(Min)	5°F (-15 C)
Heating	(Max)	---
	(Min)	---

Compressor	DC Inverter Driven Rotary	
Refrigerant Type	R410A	
Fan Motor	Output Power	60 W
	FLA	0.6 A
Sound Pressure		
Cooling		56 db(A)
Heating		---

Power Supply

Normal Operational Voltage	208/230 V, 1 Phase, 60 Hz
Voltage Range	187 - 253 V
Main Power Wire Size	10-2 AWG
Interconnecting Cable Wire Size	14-4 AWG
MCA	15.0 A
MOCP/Breaker Size	25 A

Dimensions & Weights		
Unit Dimensions (LxHxD)		37.6 x 27.6 x 15.6-in
Weight (Net/Shipping)		104/115 LBS

Refrigerant Piping Data

Gas Pipe Size (OD)	1/2-in
Liquid Pipe Size (OD)	1/4-in
Connection Method	Flared
MAX Refrigerant Pipe Length	82-ft
MIN Refrigerant Pipe Length	10-ft
MAX Refrigerant Pipe Height Difference	33-ft

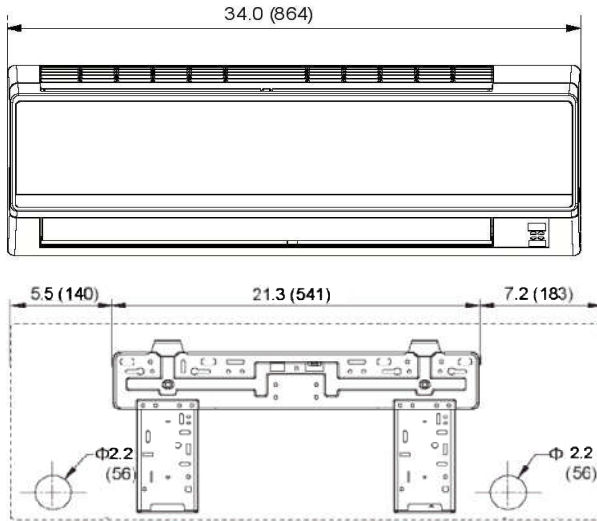


DIMENSIONAL SPECIFICATIONS

GWC18KG-D3DNB1C

INDOOR UNIT DIMENSIONS

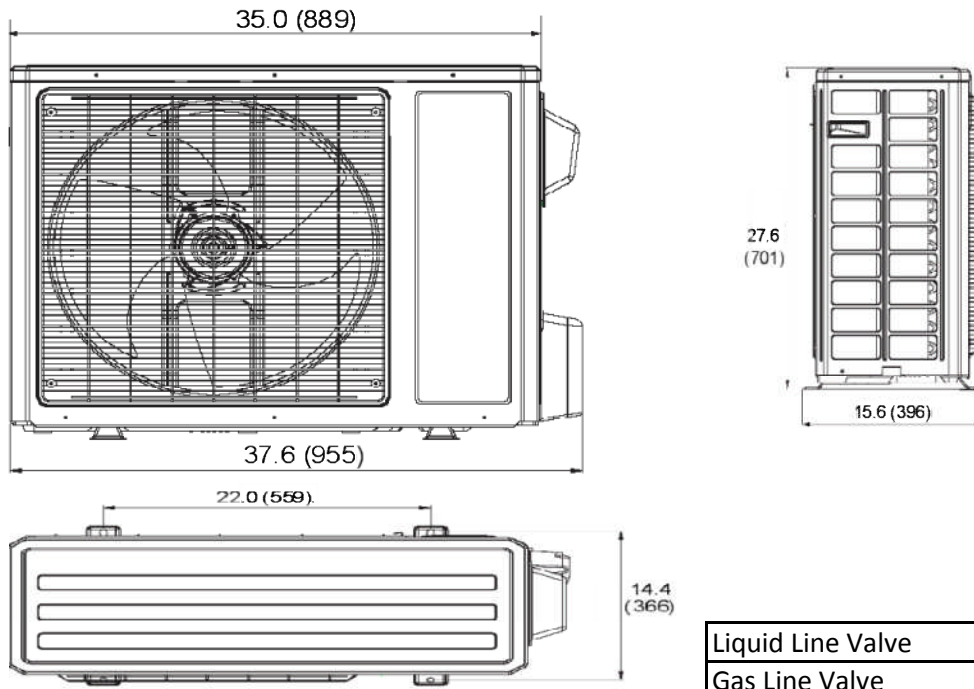
Units: inch (mm)



Liquid Line Valve	1/4-in OD Flared
Gas Line Valve	3/8-in OD Flared
Drain Connector	5/8-in OD

OUTDOOR UNIT DIMENSIONS

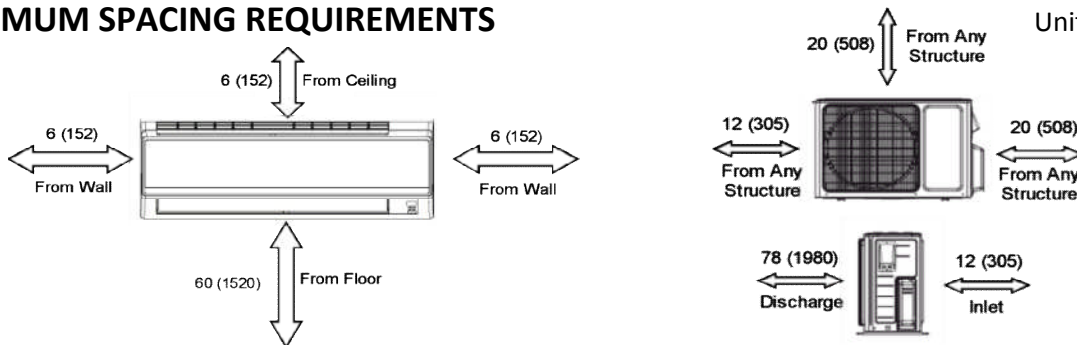
Units: inch (mm)



Liquid Line Valve	1/4-in OD Flared
Gas Line Valve	3/8-in OD Flared

MINIMUM SPACING REQUIREMENTS

Units: inch (mm)



Notes:

1. Recommended Interconnecting Cable Type Stranded Bare Copper Conductors THHN 600V Wire
2. Power wiring cable size must comply with applicable national and local codes.
3. Test conditions are based on AHRI 210/240.



Specifications are subject to change without notice. Manufacturer reserves the right to discontinue or modify specifications or designs without notice or without incurring obligations. All rights reserved.