

**Submittal Data: GWH09KF-A3DNB1A** 9,000 BTU/H Wall Mounted Heat- Pump System

Job Name Location Date

Purchaser Engineer

Submitted To For  Reference  Approval  Construction

Unit Designation Schedule No.

**GENERAL FEATURES**

- Compact and Quiet Design
- High Efficiency - 16 SEER
- DC Inverter Technology
- Wireless Remote with LCD Display
- Low Ambient Cooling
- Comfortable Sleep Mode
- Intelligent Defrost
- 5 year Limited Parts Warranty



**System Ratings**

**Indoor Unit Data**

**Cooling**

Rated Capacity	9,000 BTU/H
Capacity Range	3,500-11,000 BTU/H
Power Input (Max)	1,100 W
SEER	16
EER	12.0

<b>Fan Motor</b>	Output Power	10 W
	FLA	0.4 A

**Heating at 47° F**

Rated Capacity	9,800 BTU/H
Capacity Range	2,500-11,000 BTU/H
Power Input (Max)	1,230 W
HSPF	8.6
COP	3.5

**Airflow**

Cooling Wet (Lo/Hi)	188/329 CFM
Heating Dry (Lo/Hi)	188/329 CFM

**Heating at 17° F**

Rated Capacity	4,575 BTU/H
Capacity (Max)	11,900 BTU/H
Power Input (Max)	1,500 W
COP	2.1

**Sound Pressure Level**

Cooling (Lo/Hi)	32/40 db(A)
Heating (Lo/Hi)	32/40 db(A)

**Operating Range**

Cooling	(Max)	113°F (45 C)
	(Min)	64°F (18 C)
Heating	(Max)	75°F (24 C)
	(Min)	5°F (-15 C)

**Dimensions & Weights**

Unit Dimensions (LxHxD)	30.3 x 11.1 x 7.9-in
Weight (Net/Shipping)	19/25 LBS

**Power Supply**

Normal Operational Voltage	115 V, 1 Phase, 60 Hz
Voltage Range	103-127 V
Main Power Wire Size	12-2 AWG
Interconnecting Cable Wire Size	14-4 AWG
MCA	13.0 A
MOCP/Breaker Size	20 A

**Outdoor Unit Data**

**Compressor** DC Inverter Driven Rotary

**Refrigerant Type** R410A

<b>Fan Motor</b>	Output Power	30 W
	FLA	0.2 A

**Sound Pressure**

Cooling	53 db(A)
Heating	53 db(A)

**Dimensions & Weights**

Unit Dimensions (LxHxD)	33.4 x 21.2 x 12.6-in
Weight (Net/Shipping)	75/84 LBS

**Refrigerant Piping Data**

Gas Pipe Size (OD)	3/8-in
Liquid Pipe Size (OD)	1/4-in
Connection Method	Flared
MAX Refrigerant Pipe Length	66-ft
MIN Refrigerant Pipe Length	10-ft
MAX Refrigerant Pipe Height Difference	33-ft

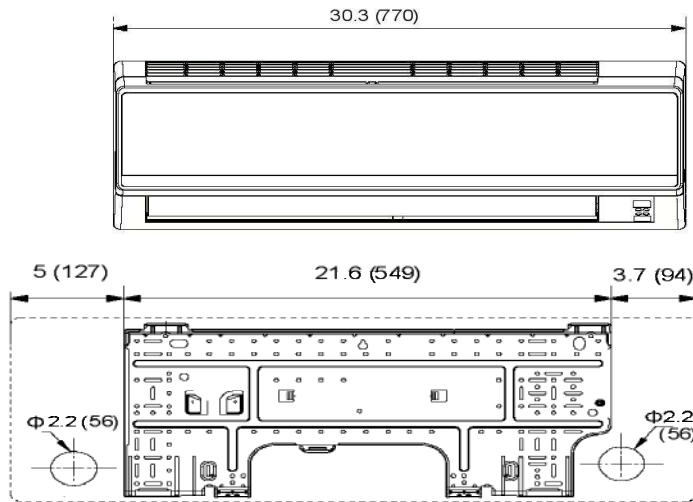


## DIMENSIONAL SPECIFICATIONS

**GWH09KF-A3DNB1A**

### INDOOR UNIT DIMENSIONS

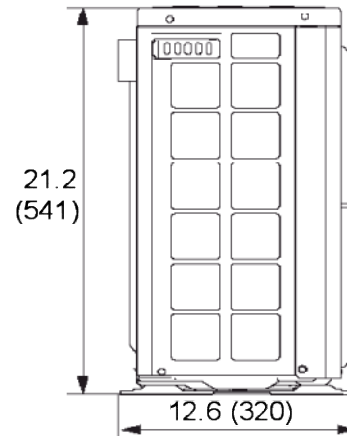
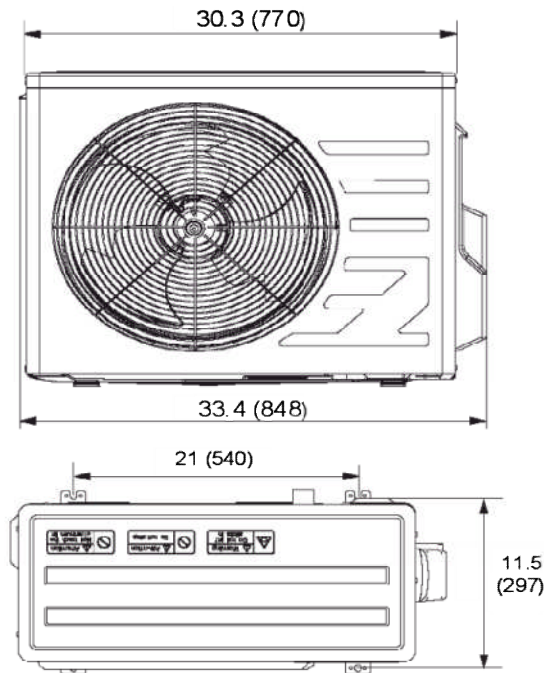
Units: inch (mm)



Liquid Line Valve	1/4-in OD Flared
Gas Line Valve	3/8-in OD Flared
Drain Connector	5/8-in OD

### OUTDOOR UNIT DIMENSIONS

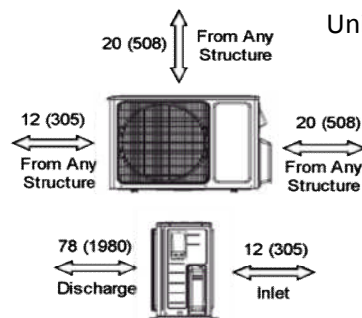
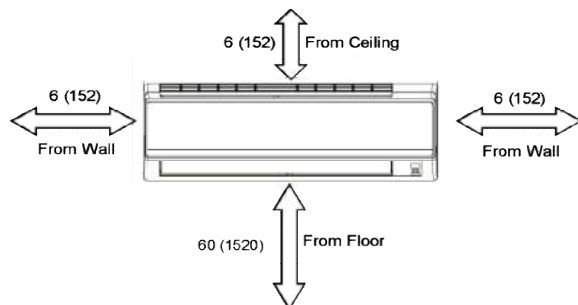
Units: inch (mm)



Liquid Line Valve	1/4-in OD Flared
Gas Line Valve	3/8-in OD Flared

### MINIMUM SPACING REQUIREMENTS

Units: inch (mm)



**Notes:**

1. Recommended Interconnecting Cable Type Stranded Bare Copper Conductors THHN 600V Wire
2. Power wiring cable size must comply with applicable national and local codes.
3. Test conditions are based on AHRI 210/240.



Specifications are subject to change without notice. Manufacturer reserves the right to discontinue or modify specifications or designs without notice or without incurring obligations. All rights reserved.