

Submittal Data: GWH12KF-A3DNB1A 12,000 BTU/H Wall Mounted Heat- Pump System

Job Name Location Date

Purchaser Engineer

Submitted To For Reference Approval Construction

Unit Designation Schedule No.

GENERAL FEATURES

- Compact and Quiet Design
- High Efficiency - 16 SEER
- DC Inverter Technology
- Wireless Remote with LCD Display
- Low Ambient Cooling
- Comfortable Sleep Mode
- Intelligent Defrost
- 5 year Limited Parts Warranty



System Ratings

Indoor Unit Data

Cooling	
Rated Capacity	11,800 BTU/H
Capacity Range	3,300-12,500 BTU/H
Power Input (Max)	1,340 W
SEER	16
EER	9.4

Fan Motor	Output Power	10 W
	FLA	0.4 A
Airflow		
Cooling	Wet (Lo/Hi)	200/341 CFM
Heating	Dry (Lo/Hi)	211/341 CFM

Heating at 47° F	
Rated Capacity	13,000 BTU/H
Capacity Range	3,400-13,500 BTU/H
Power Input (Max)	1,360 W
HSPF	8.6
COP	2.9

Sound Pressure Level		
Cooling	(Lo/Hi)	32/40 db(A)
Heating	(Lo/Hi)	32/40 db(A)
Dimensions & Weights		
Unit Dimensions (LxHxD)	30.3 x 11.1 x 7.9-in	
Weight (Net/Shipping)	19/25 LBS	

Heating at 17° F	
Rated Capacity	7,311 BTU/H
Capacity (Max)	13,000 BTU/H
Power Input (Max)	1,500 W
COP	2.2

Outdoor Unit Data

Operating Range		
Cooling	(Max)	113°F (45 C)
	(Min)	64°F (18 C)
Heating	(Max)	75°F (24 C)
	(Min)	5°F (-15 C)

Compressor	DC Inverter Driven Rotary	
Refrigerant Type	R410A	
Fan Motor	Output Power	30 W
	FLA	0.2 A
Sound Pressure		
Cooling	55 db(A)	
Heating	55 db(A)	
Dimensions & Weights		
Unit Dimensions (LxHxD)	33.4 x 21.2 x 12.6 -in	
Weight (Net/Shipping)	75/84 LBS	

Power Supply	
Normal Operational Voltage	115 V, 1 Phase, 60 Hz
Voltage Range	103-127 V
Main Power Wire Size	10-2 AWG
Interconnecting Cable Wire Size	14-4 AWG
MCA	15.0 A
MOCP/Breaker Size	25 A

Refrigerant Piping Data	
Gas Pipe Size (OD)	3/8-in
Liquid Pipe Size (OD)	1/4-in
Connection Method	Flared
MAX Refrigerant Pipe Length	66-ft
MIN Refrigerant Pipe Length	10-ft
MAX Refrigerant Pipe Height Difference	33-ft

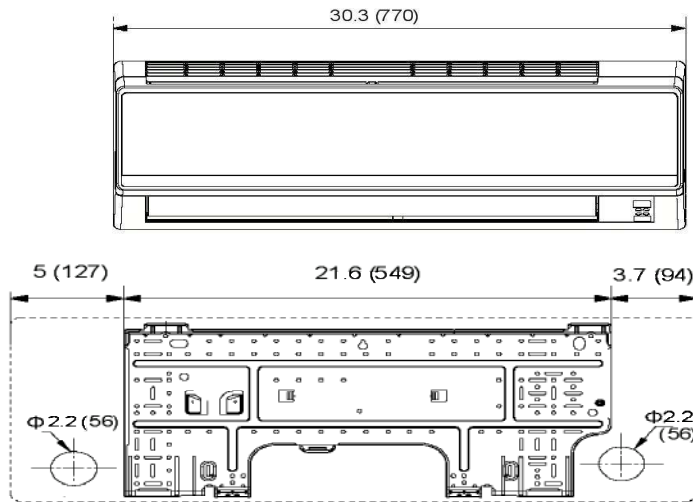


DIMENSIONAL SPECIFICATIONS

GWH12KF-A3DNB1A

INDOOR UNIT DIMENSIONS

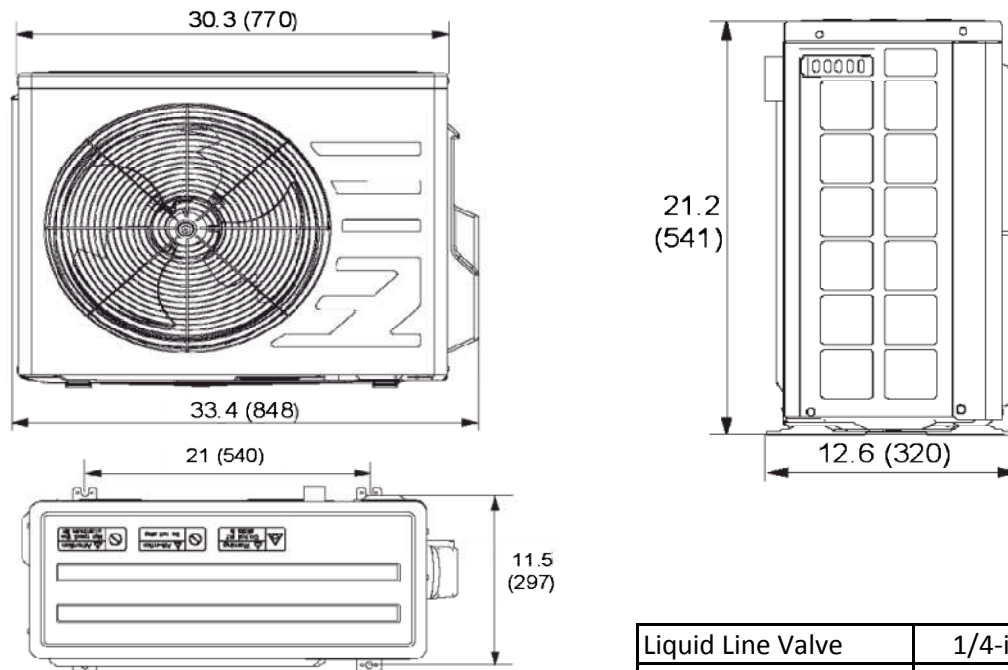
Units: inch (mm)



Liquid Line Valve	1/4-in OD Flared
Gas Line Valve	3/8-in OD Flared
Drain Connector	5/8-in OD

OUTDOOR UNIT DIMENSIONS

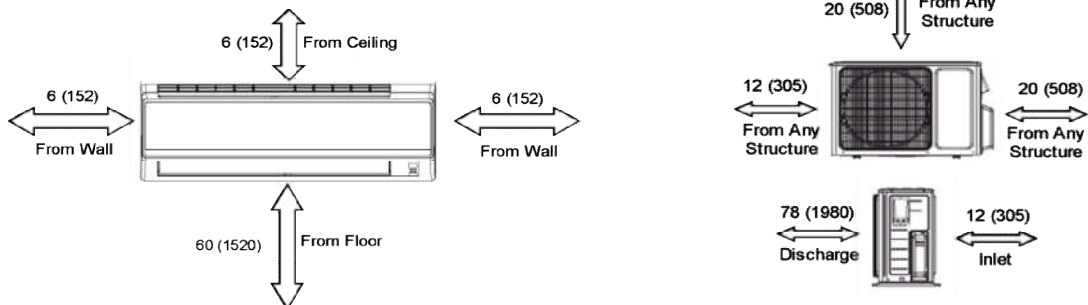
Units: inch (mm)



Liquid Line Valve	1/4-in OD Flared
Gas Line Valve	3/8-in OD Flared

MINIMUM SPACING REQUIREMENTS

Units: inch (mm)



Notes:

1. Recommended Interconnecting Cable Type Stranded Bare Copper Conductors THHN 600V Wire
2. Power wiring cable size must comply with applicable national and local codes.
3. Test conditions are based on AHRI 210/240.



Specifications are subject to change without notice. Manufacturer reserves the right to discontinue or modify specifications or designs without notice or without incurring obligations. All rights reserved.