

**Submittal Data: GWH12KF-D3DNB1C** 12,000 BTU/H Wall Mounted Heat- Pump System

Job Name Location Date

Purchaser Engineer

Submitted To For  Reference  Approval  Construction

Unit Designation Schedule No.

**GENERAL FEATURES**

- Compact and Quiet Design
- High Efficiency - 16 SEER
- DC Inverter Technology
- Wireless Remote with LCD Display
- Low Ambient Cooling
- Comfortable Sleep Mode
- Intelligent Defrost
- 5 year Limited Parts Warranty



**System Ratings**

**Indoor Unit Data**

**Cooling**

Rated Capacity	12,000 BTU/H
Capacity Range	3,300-12,500 BTU/H
Power Input (Max)	1,340 W
SEER	16
EER	9.8

<b>Fan Motor</b>	Output Power	15 W
	FLA	0.2 A

**Heating at 47° F**

Rated Capacity	12,000 BTU/H
Capacity Range	3,400-12,500 BTU/H
Power Input (Max)	1,050 W
HSPF	8.5
COP	3.3

**Airflow**

Cooling Wet (Lo/Hi)	153/341 CFM
Heating Dry (Lo/Hi)	198/350 CFM

**Heating at 17° F**

Rated Capacity	7,400 BTU/H
Capacity (Max)	10,200 BTU/H
Power Input (Max)	910 W
COP	2.4

**Sound Pressure Level**

Cooling (Lo/Hi)	28/44 db(A)
Heating (Lo/Hi)	28/44 db(A)

**Operating Range**

Cooling	(Max)	109°F (43 C)
	(Min)	5°F (-15 C)
Heating	(Max)	75°F (24 C)
	(Min)	5°F (-15 C)

**Dimensions & Weights**

Unit Dimensions (LxHxD)	30.3 x 11.1 x 7.9-in
Weight (Net/Shipping)	20/27 LBS

**Power Supply**

Normal Operational Voltage	208/230 V, 1 Phase, 60 Hz
Voltage Range	187 - 253 V
Main Power Wire Size	14-2 AWG
Interconnecting Cable Wire Size	14-4 AWG
MCA	10.0 A
MOCP/Breaker Size	15 A

**Outdoor Unit Data**

**Compressor** DC Inverter Driven Rotary

**Refrigerant Type** R410A

<b>Fan Motor</b>	Output Power	21 W
	FLA	0.3 A

**Sound Pressure**

Cooling	52 db(A)
Heating	52 db(A)

**Dimensions & Weights**

Unit Dimensions (LxHxD)	28.0 x 21.7 x 12.5-in
Weight (Net/Shipping)	68/77 LBS

**Refrigerant Piping Data**

Gas Pipe Size (OD)	3/8-in
Liquid Pipe Size (OD)	1/4-in
Connection Method	Flared
MAX Refrigerant Pipe Length	50-ft
MIN Refrigerant Pipe Length	10-ft
MAX Refrigerant Pipe Height Difference	33-ft

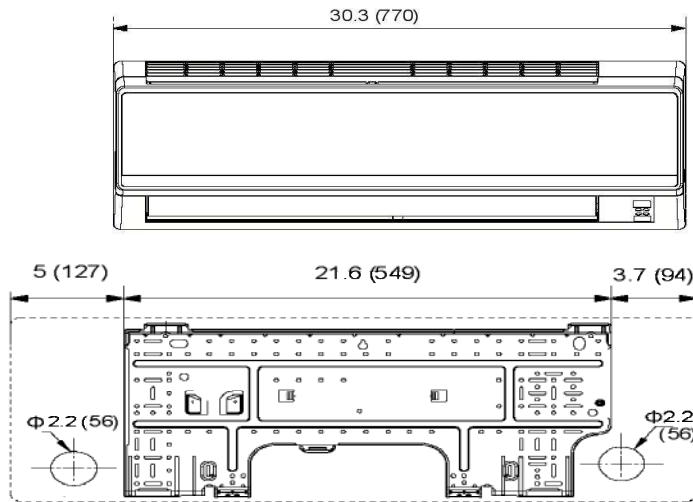


# DIMENSIONAL SPECIFICATIONS

**GWH12KF-D3DNB1C**

## INDOOR UNIT DIMENSIONS

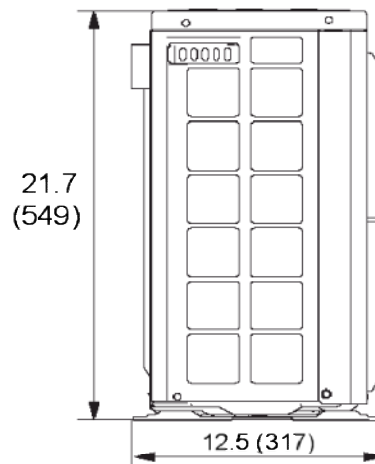
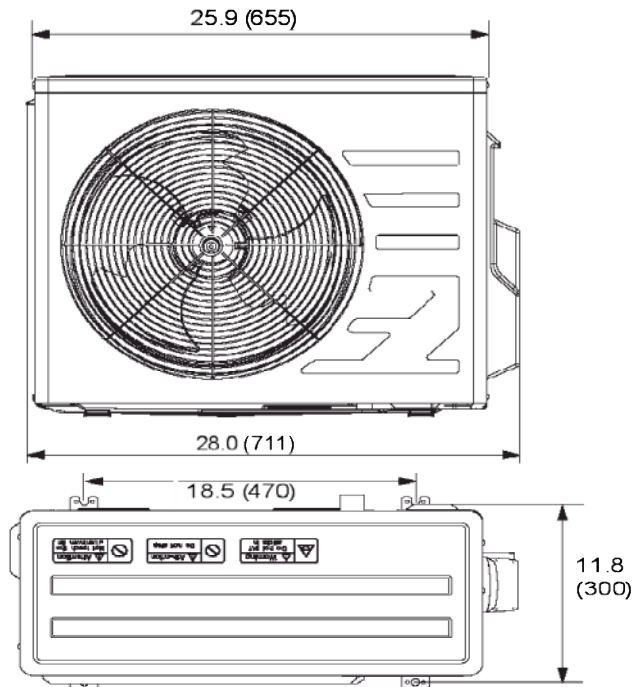
Units: inch (mm)



Liquid Line Valve	1/4-in OD Flared
Gas Line Valve	3/8-in OD Flared
Drain Connector	5/8-in OD

## OUTDOOR UNIT DIMENSIONS

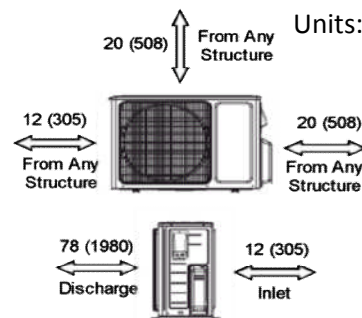
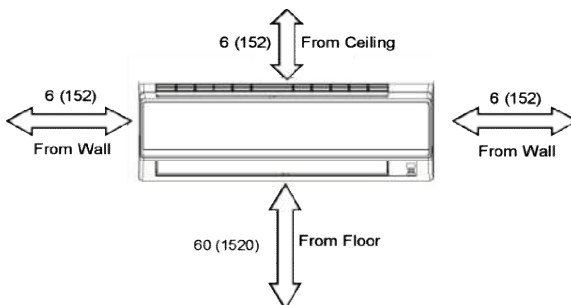
Units: inch (mm)



Liquid Line Valve	1/4-in OD Flared
Gas Line Valve	3/8-in OD Flared

## MINIMUM SPACING REQUIREMENTS

Units: inch (mm)



**Notes:**

1. Recommended Interconnecting Cable Type Stranded Bare Copper Conductors THHN 600V Wire
2. Power wiring cable size must comply with applicable national and local codes.
3. Test conditions are based on AHRI 210/240.



Specifications are subject to change without notice. Manufacturer reserves the right to discontinue or modify specifications or designs without notice or without incurring obligations. All rights reserved.