

Submittal Data: GWH24KG-D3DNB1C 24,000 BTU/H Wall Mounted Heat- Pump System

Job Name Location Date

Purchaser Engineer

Submitted To For Reference Approval Construction

Unit Designation Schedule No.

GENERAL FEATURES

- Compact and Quiet Design
- High Efficiency - 16 SEER
- DC Inverter Technology
- Wireless Remote with LCD Display
- Low Ambient Cooling
- Comfortable Sleep Mode
- Intelligent Defrost
- 5 year Limited Parts Warranty



System Ratings

Indoor Unit Data

Cooling

Rated Capacity	22,000 BTU/H
Capacity Range	6,400-24,000 BTU/H
Power Input (Max)	2,550 W
SEER	16
EER	10

Fan Motor	Output Power	35 W
	FLA	0.3 A

Heating at 47° F

Rated Capacity	26,600 BTU/H
Capacity Range	4,100-26,600 BTU/H
Power Input (Max)	2,800 W
HSPF	9.5
COP	2.9

Airflow

Cooling Wet (Lo/Hi)	206/589 CFM
Heating Dry (Lo/Hi)	374/607 CFM

Heating at 17° F

Rated Capacity	18,000 BTU/H
Capacity (Max)	21,300 BTU/H
Power Input (Max)	2,450 W
COP	2.1

Sound Pressure Level

Cooling (Lo/Hi)	34/49 db(A)
Heating (Lo/Hi)	34/49 db(A)

Operating Range

Cooling	(Max)	109°F (43 C)
	(Min)	5°F (-15 C)
Heating	(Max)	75°F (24 C)
	(Min)	19°F (-7 C)

Dimensions & Weights

Unit Dimensions (LxHxD)	39.7 x 12.4 x 8.7-in
Weight (Net/Shipping)	33/44 LBS

Power Supply

Normal Operational Voltage	208/230 V, 1 Phase, 60 Hz
Voltage Range	187 - 253 V
Main Power Wire Size	10-2 AWG
Interconnecting Cable Wire Size	14-4 AWG
MCA	16.0 A
MOCP/Breaker Size	25 A

Outdoor Unit Data

Compressor	DC Inverter Driven Rotary	
Refrigerant Type	R410A	
Fan Motor	Output Power	60 W
	FLA	0.6 A

Sound Pressure

Cooling	53 db(A)
Heating	53 db(A)

Dimensions & Weights

Unit Dimensions (LxHxD)	37.6 x 27.6 x 15.6 -in
Weight (Net/Shipping)	115/126 LBS

Refrigerant Piping Data

Gas Pipe Size (OD)	1/2-in
Liquid Pipe Size (OD)	1/4-in
Connection Method	Flared
MAX Refrigerant Pipe Length	82-ft
MIN Refrigerant Pipe Length	10-ft
MAX Refrigerant Pipe Height Difference	33-ft

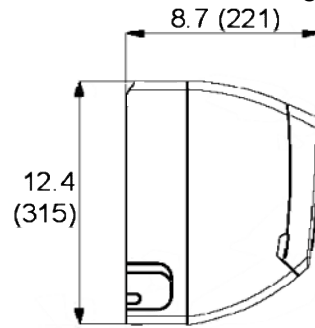
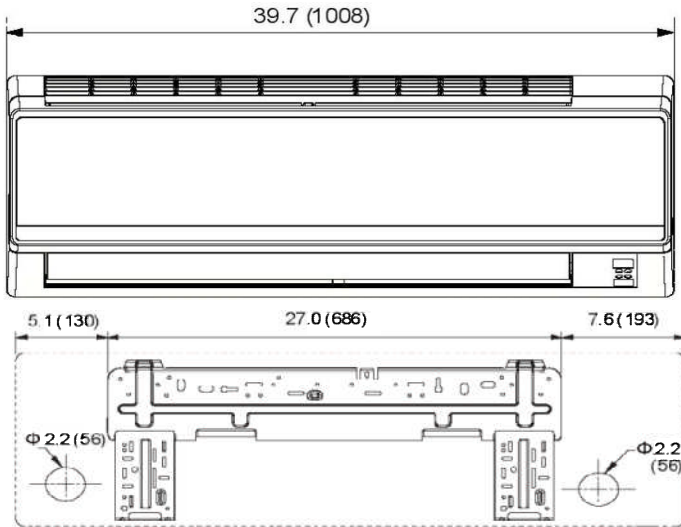


DIMENSIONAL SPECIFICATIONS

GWH24KG-D3DNB1C

INDOOR UNIT DIMENSIONS

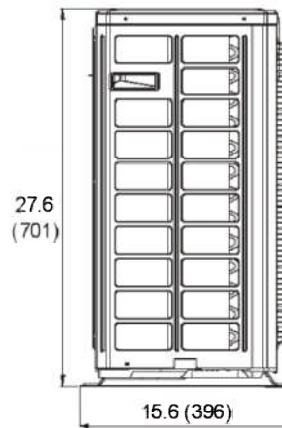
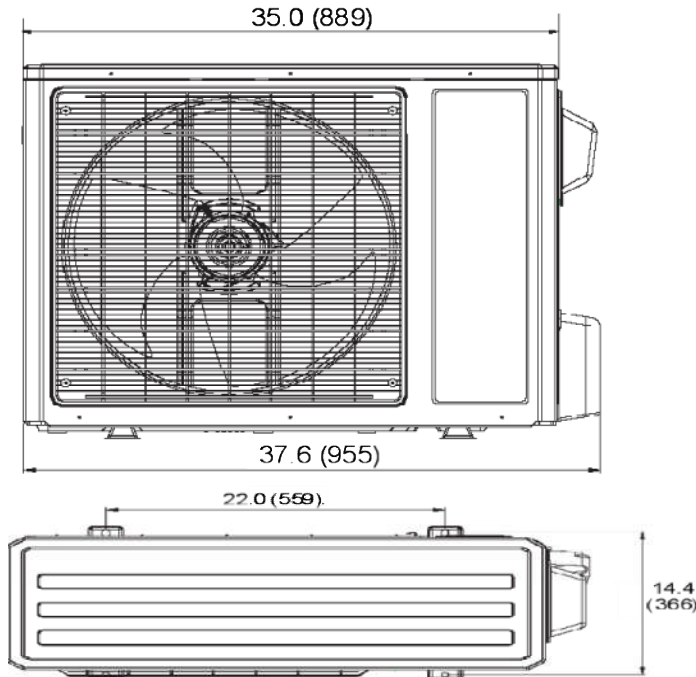
Units: inch (mm)



Liquid Line Valve	1/4-in OD Flared
Gas Line Valve	3/8-in OD Flared
Drain Connector	5/8-in OD

OUTDOOR UNIT DIMENSIONS

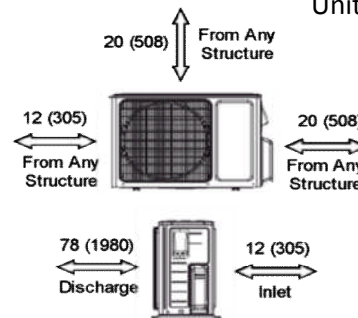
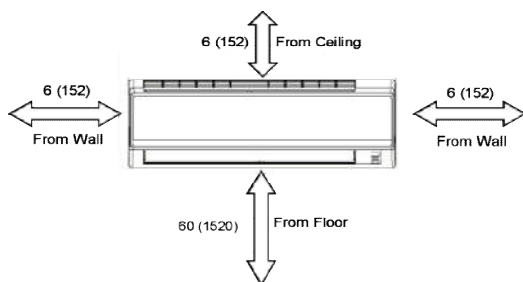
Units: inch (mm)



Liquid Line Valve	1/4-in OD Flared
Gas Line Valve	3/8-in OD Flared

MINIMUM SPACING REQUIREMENTS

Units: inch (mm)



Notes:

1. Recommended Interconnecting Cable Type Stranded Bare Copper Conductors THHN 600V Wire
2. Power wiring cable size must comply with applicable national and local codes.
3. Test conditions are based on AHRI 210/240.



Specifications are subject to change without notice. Manufacturer reserves the right to discontinue or modify specifications or designs without notice or without incurring obligations. All rights reserved.